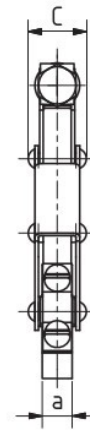
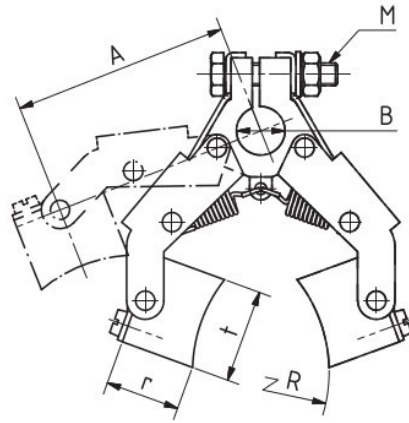


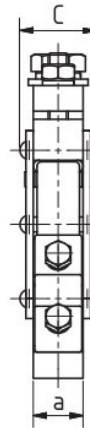
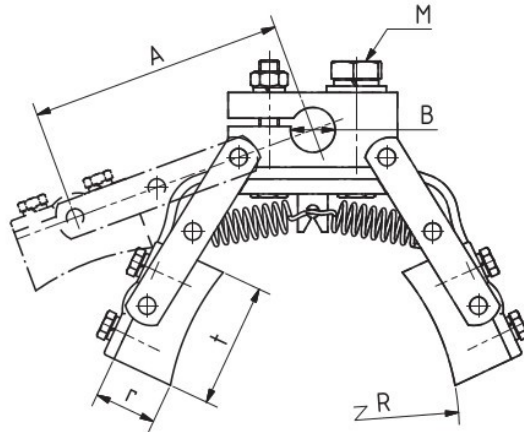
Držiak 3210 DDG60B16G/0



Design 1



Design 2



Type number	Brush dimensions			Radius R	Length* A	Bore diameter B		Width C	Conection screw M	max. current	Design
	t	a	r			standard	max				
DDG224.40.(B...)	22	4	18	At customer's option	40	8	10	7.5	M 4	25 A	1
DDG1664.40.(B...)	16	6.4	13		40	8	10	11.5	M 4	25 A	1
DDG2264.40.(B...)	22	6.4	13		40	8	10	11.5	M 4	30 A	1
DDG258.60.(B...)	25	8	20		60	12	16	13.5	M 5	60 A	1
DDG3210.60.(B...)	32	10	20		60	12	20	15.5	M 8	150 A	1
DDG3216.65.(B...)	32	16	20		65	12	20	22	M 8	180 A	1
DDG4514.80.(B...)	45	14	25		80	16	20	23	M 10	220 A	2
DDG4516.80.(B...)	45	16	25		80	16	20	27	M 12	265 A	2
DDG4516.95.(B...)	45	16	25		95	16	20	27	M 12	265 A	2
DDG5020.95.(B...)	50	20	25		95	16	20	30	M 12	350 A	2
DDG6025.105.(B...)	60	25	25	105	17	20	36	M 12	500 A	2	

Above dimensions are standard. Special dimensions available on request.

* Length of holder arm when fitted