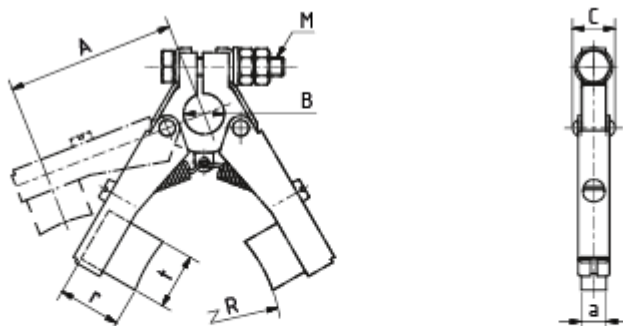
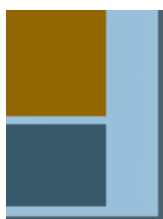
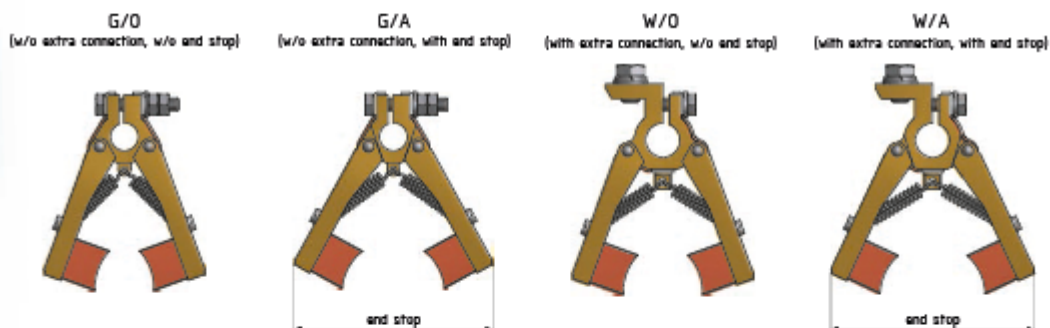


Držiak DD84.32.10.99.00



Designs



Type number	Brush dimensions			Radius R	Length* A	Bore diameter B		Width C	Connection screw M
	t	a	r			standard	max		
DD43.21.(B...)	4	3	10		21	7	8	7	M3
DD63.23.(B...)	6	3	15		23	7	8	7	M3
DD84.32.(B...)	8	4	15		32	8	10	8	M4
DD84.43.(B...)	8	4	15		43	8	10	8	M4
DD85.32.(B...)	8	5	15		32	8	10	9	M4
DD85.43.(B...)	8	5	15		43	8	10	9	M4