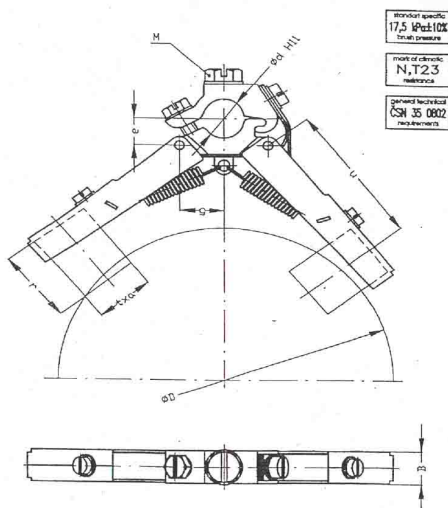
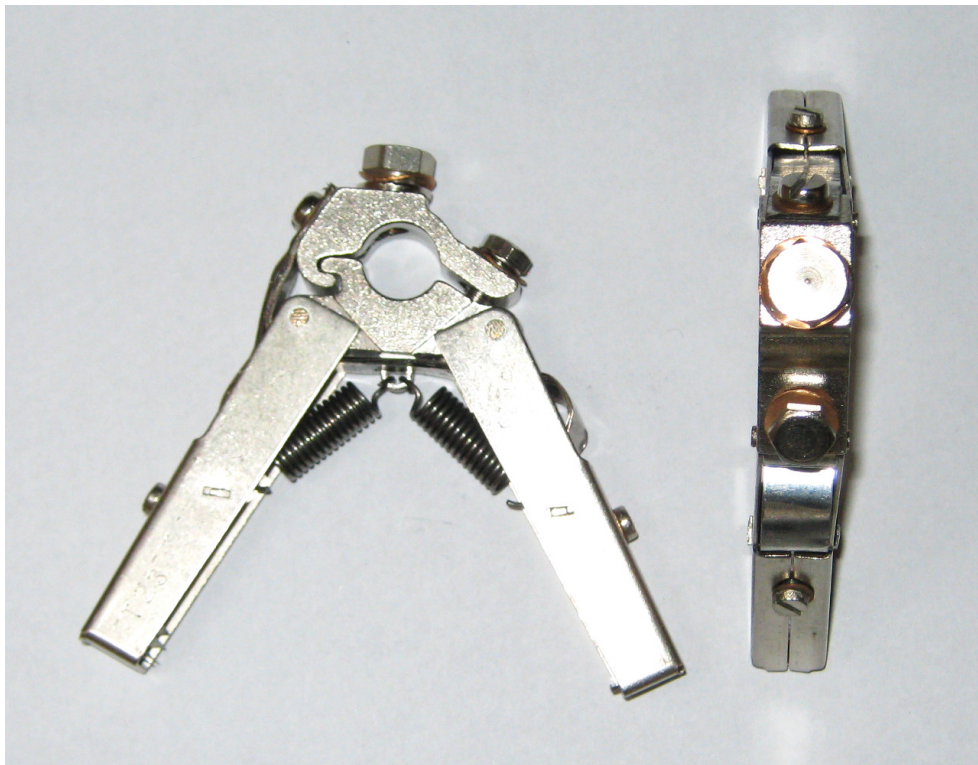


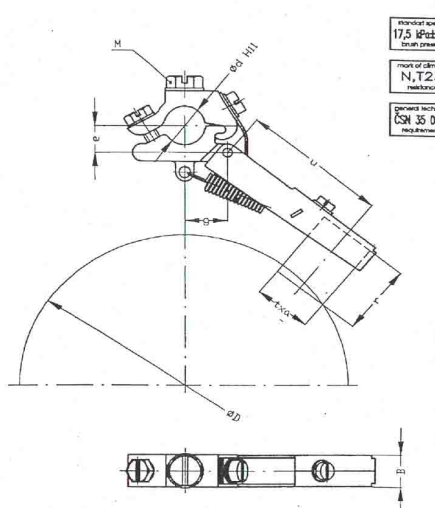
Držiak KPD2010T23



material specific
17,5 kPa±10%
load capacity

mark of elastic
N, T23
reference

general technical
CSN 35 0802
requirements



material specific
17,5 kPa±10%
load capacity

mark of elastic
N, T23
reference

general technical
CSN 35 0802
requirements

Type	t	a	r	D	d H11	g	e	u	B	M	m [kg]
Kpd1206	12.5	6.3	16	63	10	11	8	30	10.5	M4	0.08
Kpd1608	16	8	20	80-100	12	15	10	38	13	M5	0.10
Kpd2010	20	10	25	100-125				48	15	M6	0.12
Kpd2512	25	12.5	32	125-160	18	18.5	12.5	64	18	M8	0.20
Kpd3216	32	16	40	160-200				79	22		0.30
Kpd4020	40	20	40	250-280	25	26	18.5	95	26	M10	0.60

Type	t	a	r	D	d H11	g	e	u	B	M	m [kg]
Kpd1206	12.5	6.3	16	63	10	11	8	30	10.5	M4	0.05
Kpd1608	16	8	20	80-100	12	15	10	38	13	M5	0.07
Kpd2010	20	10	25	100-125				48	15	M6	0.10
Kpd2512	25	12.5	32	125-160	18	18.5	12.5	64	18	M8	0.20
Kpd3216	32	16	40	160-200				79	22		0.30
Kpd4020	40	20	40	250-280	25	26	18.5	95	26	M10	0.60