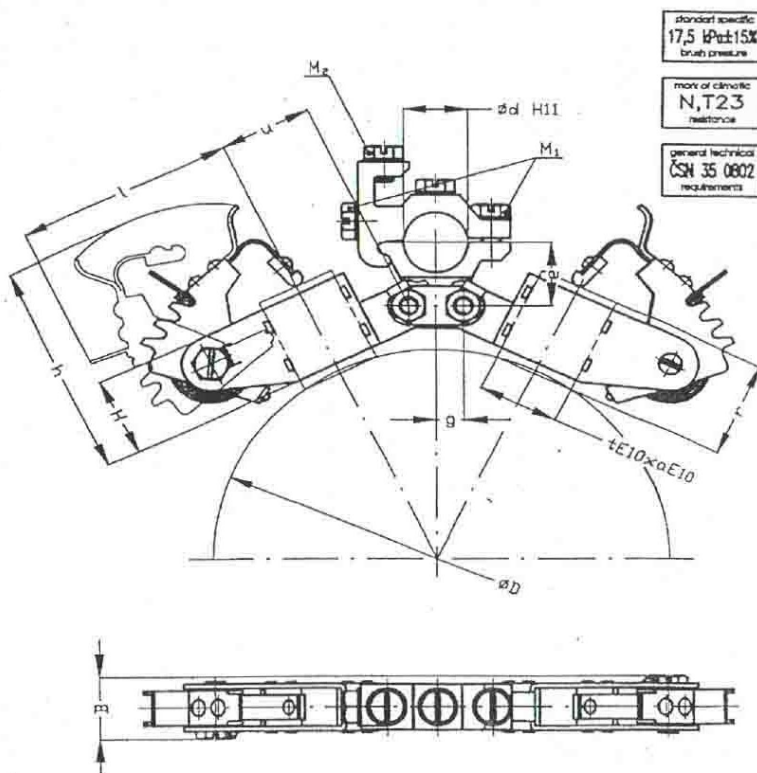
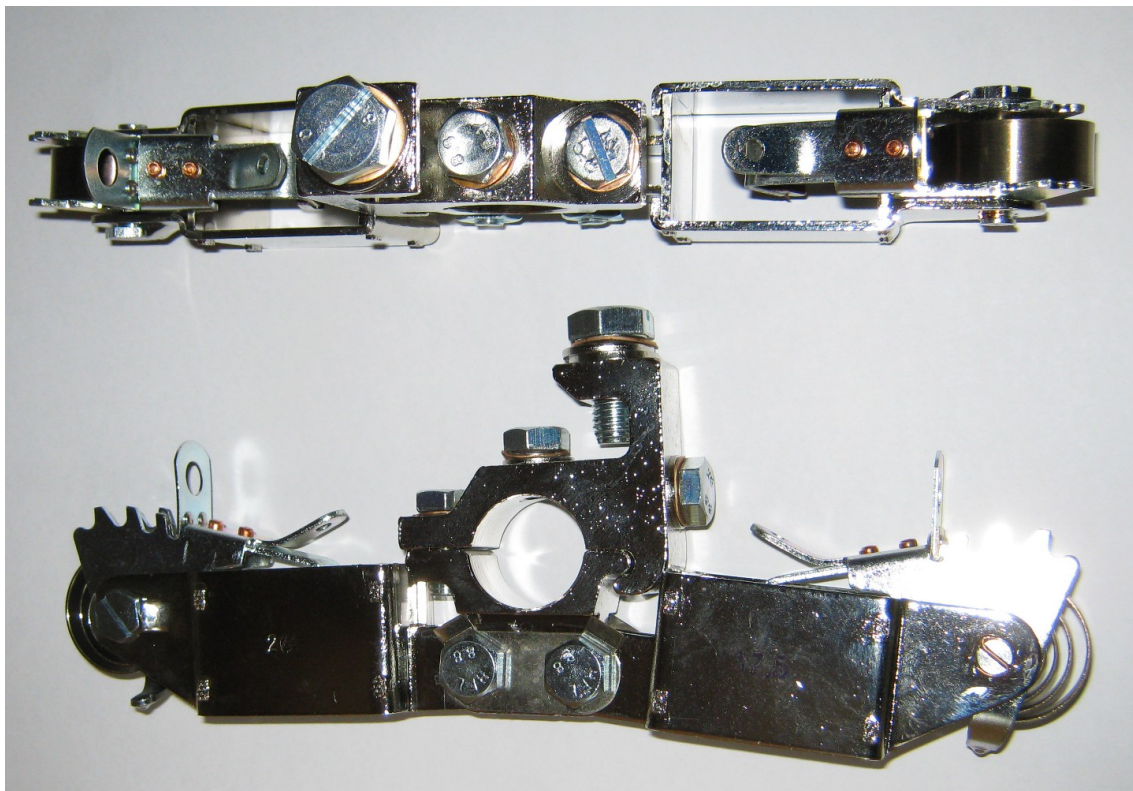


Držiak KVD4025



Type	t E10	a E10	r	D	d H11	e	g	u	B	H	I	h	M ₁	M ₂	m [kg]
Kvd2010	20	10	25	90-140	20	21	8.5	26.5	19	20	62	62	M6	M6	0.32
Kvd2512	25	12.5	32	100-224				29	21	26	67	73			0.34
Kvd3216		16							22						0.65
Kvd3220	32	20		100-400				36	26		71				0.67
Kvd3225		25	40		25	26	11.5		31	32		78	M8	M10	0.70
Kvd4020	40	20		200-400				40	26		75				0.68
Kvd4025		25							31						0.71