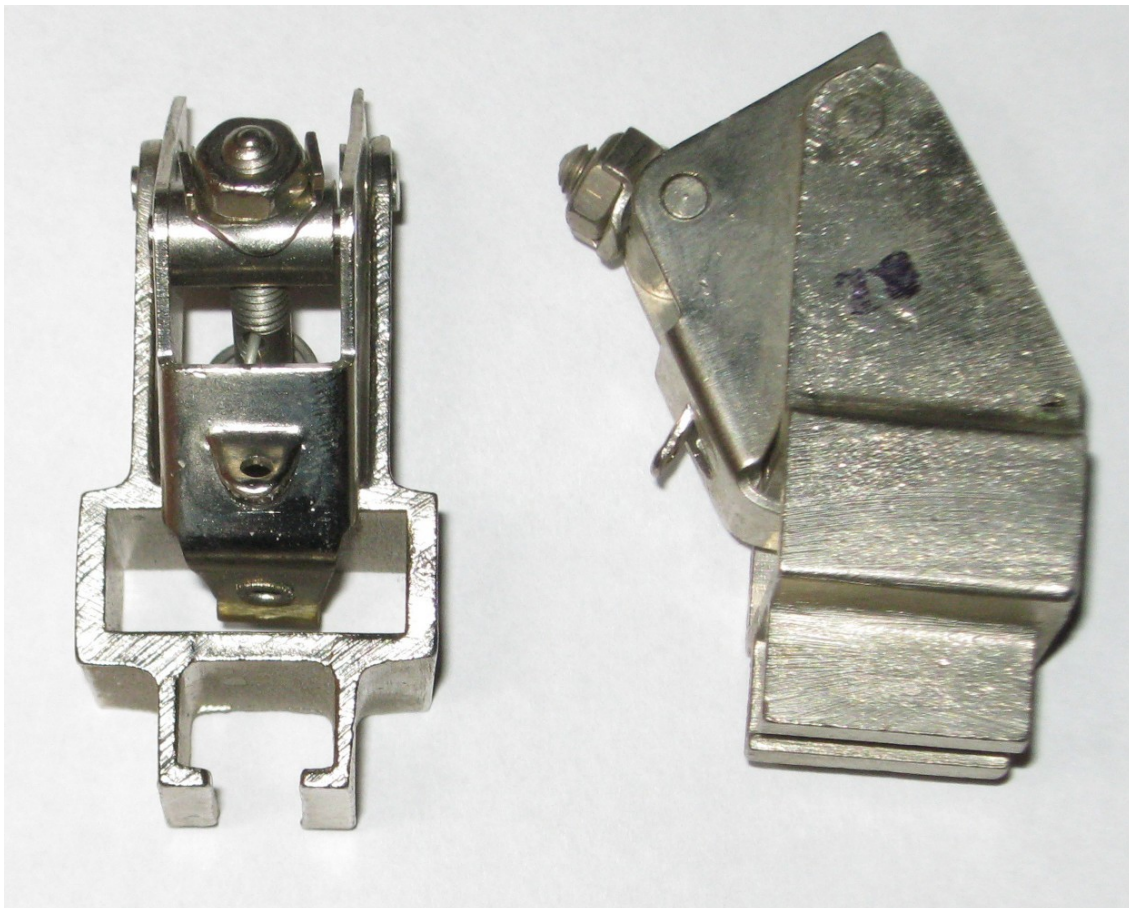
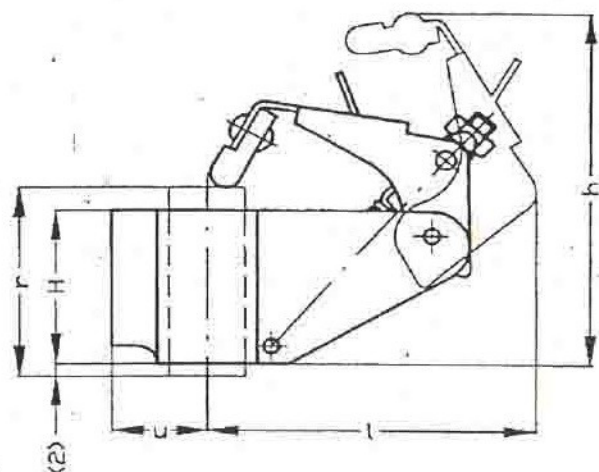


# Držiak So0820

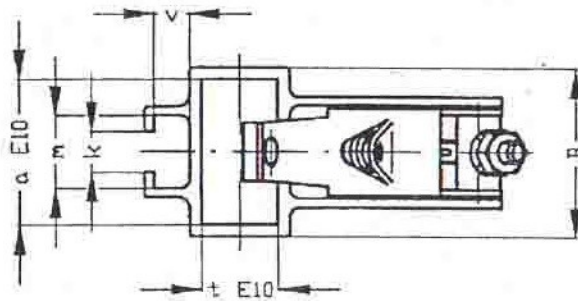




standart specific:  
17,5 kPa±10%  
brush pressure

mark of climatic:  
T23  
resistance

general technical  
CSN 35 0802  
requirements



Type	t E10	a E10	r	u	k	m	v	B	H	l	h	m [kg]
So0610	6.3	10	20	14	5.5	10	7	14	16	43	42	0.02
So0612		12.5						16.5				0.03
So0620		20						24			47	0.04
So0812	8	12.5	25	14.5	5.5	10	7	16.5	20	44	50	0.03
So0816		16						20		47		0.05
So0820		20						24		48		0.04
So1016	10	16	32	15.5	7	12.5	7	20	26	49	64	0.05
So1020		20						24		0.06		
So1025		25										
So1225	12.5	25		17	7			29	26	61	64	0.08
So1625	16	25	40	18	8.5	16	7	37	32	84	84	0.08
So1632		32		19.5						0.18		
So2025		25		20.5						7		12.5
So2032	20	32	21.5	8.5	16	37	0.18					