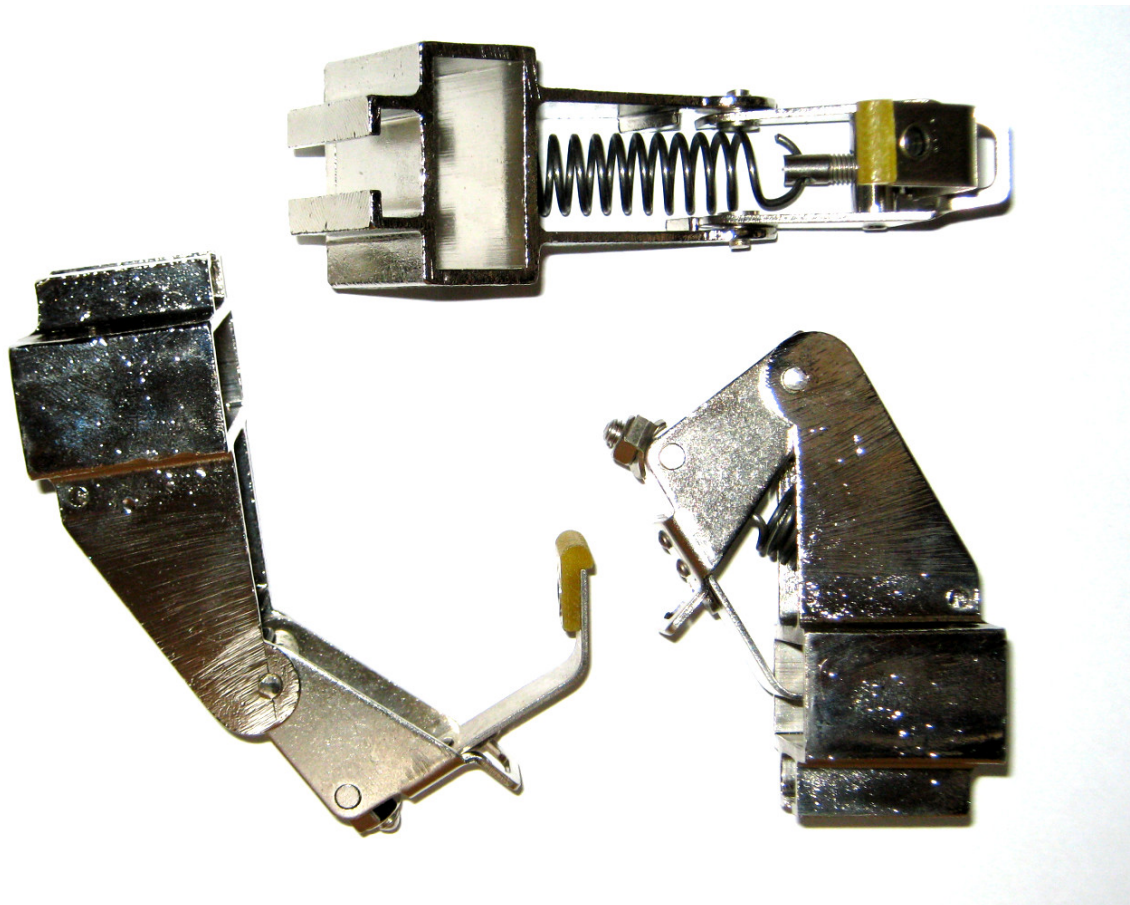
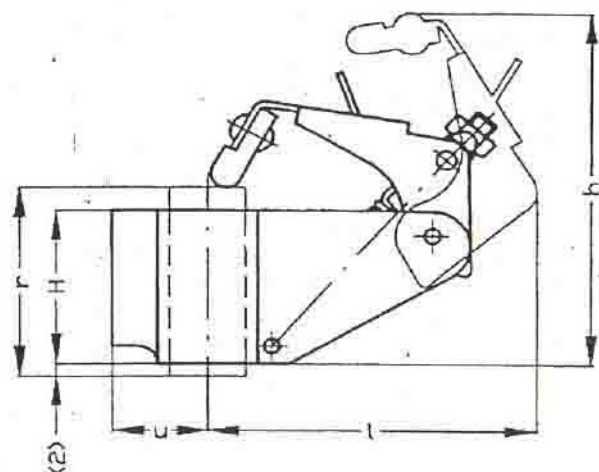


Držiak So1632

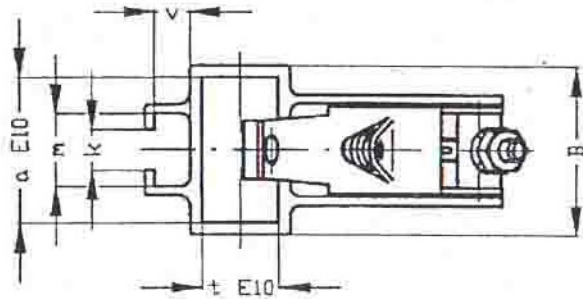




standart specific
17,5 kPa±10%
brush pressure

mark of climatic
T23
resistance

general technical
ČSN 35 0802
requirements



Type	t E10	a E10	r	u	k	m	v	B	H	l	h	m [kg]	
So0610	6.3	10	20	14	5.5	10	7	14	16	43	42	0.02	
So0612		12.5	16.5					47	0.03				
So0620		20	24					47	0.04				
So0812	8	12.5	25	14.5	5.5	10	7	16.5	20	44	50	0.03	
So0816		16						20		47		0.05	
So0820		20						24		48		0.04	
So1016	10	16	32	15.5	7	12.5	7	20	26	49	64	0.05	
So1020		20						24		61		0.06	
So1025		25						29		61		0.08	
So1225	12.5	25	40	17	8.5	16	7	32	32	84	84	0.08	
So1625	16	25		18								29	0.18
So1632		32		19.5								37	0.18
So2025	20	25	20.5	7	12.5	7	7	32	32	86	84	0.18	
So2032		32	21.5	8.5	16							37	0.18